

EPAL 7 HALF PALLET

800 x 600 mm



The work of the European Pallet Association, its National Committees and licensees forms the stable basis for the successful, open pallet pool and enables the global exchange of EPAL load carriers. The new EPAL 7 half pallet is more robust and longer lasting than the current "Düsseldorfer" half pallet used on the market. The new EPAL 7 half pallets are particularly popular in the drinks and food industry, as well as with discount stores and the retail trade. Constant quality assurance and high quality materials ensure trouble-free, safe performance for users and loading. Their multiple use saves a considerable amount of environmental and economic resources.

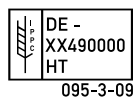
FACTS & FIGURES

Materials: 13 boards of quality timber, 3 blocks, 42 nails, 6 sturdy 3-mm steel angle brackets, 21 tubular rivets. Produced according to the EPAL Technical Regulations.

Length	800 mm
Width	600 mm
Height	163 mm
Weight	Approx. 9.5 kg
Safe working load	500 kg

When stacking loaded pallets on a firm and level base, the additional load on the bottom-most pallet must not be more than 1,500 kg.

MARKINGS



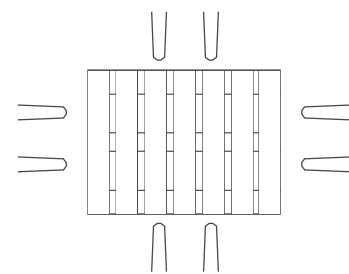
On the three steel angle brackets on the long side: "EPAL in oval"

On the middle block: IPPC rectangle with IPPC ear of wheat, country code, pallet producer's IPPC number, HT (Heat Treatment); EPAL ID number with pallet producer's licence number and date of production (year, month); EPAL control staple (on only one of the middle blocks):



HANDLING

4-sided accessibility with chamfered lower edge boards on both sides enables highly efficient handling during production, storage and transportation all the way along the supply chain. Compatible with all (conventional) standard load carriers, industrial trucks and warehouse systems.



QUALITY CONTROL



EPAL's quality assurance ensures EPAL Euro pallets are of an internationally uniform and high quality. The inspection companies Bureau Veritas and CCIC complete more than 25,000 independent inspections every year on behalf of EPAL at the EPAL licensees' premises. This quality control of EPAL Euro pallets is the fundamental basis of reuse and exchange and therefore of the sustainability of EPAL Euro pallets.

ISPM 15



During production, EPAL Euro pallets are heat treated (HT) in accordance with the IPPC ISPM 15 standard. This kills off any pests and protects trees, plants and other ecosystems from infestation. The ISPM 15 treatment ensures EPAL Euro pallets can be used to transport goods without limitation, internationally and across continents.

REPAIR



Damaged EPAL pallets can be repaired cost effectively and in a climate-friendly manner by all EPAL-licensed pallet repair operations. Following the quality-assured repair, EPAL pallets repaired according to standard receive a repair marking nail bearing the "EPAL" trademark and the licence number of the repair operation.

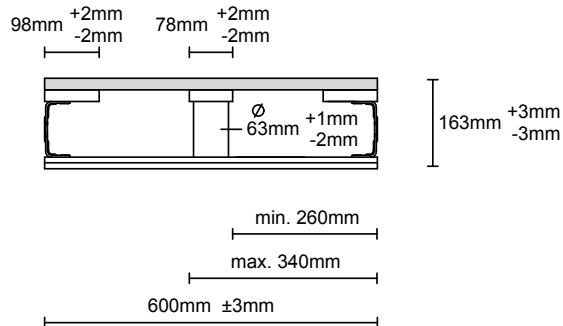


EPAL 7 HALF PALLET

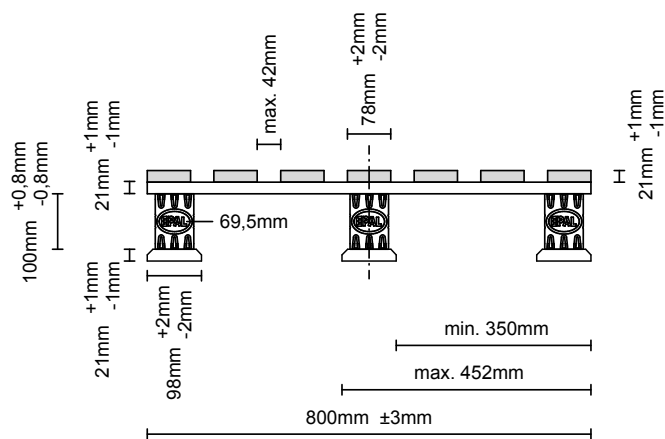
800 x 600 mm



600 mm side



800 mm side



Top view

